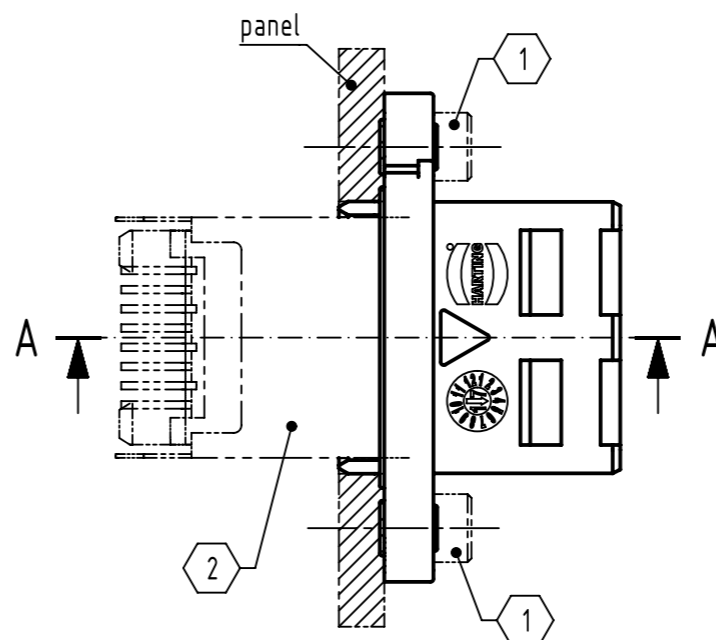
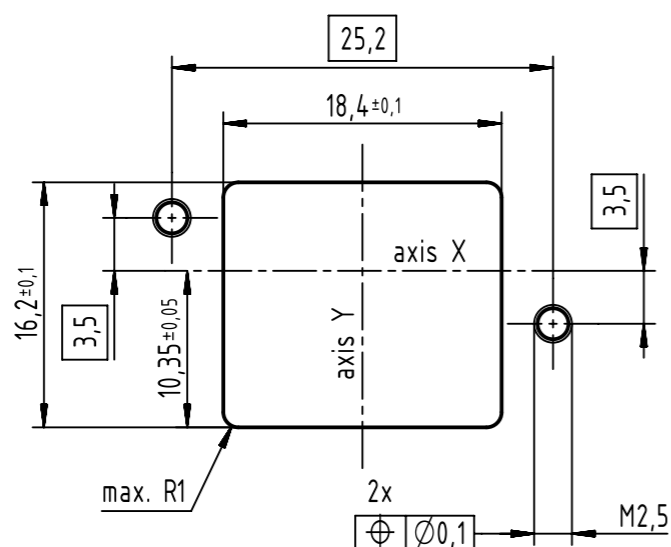
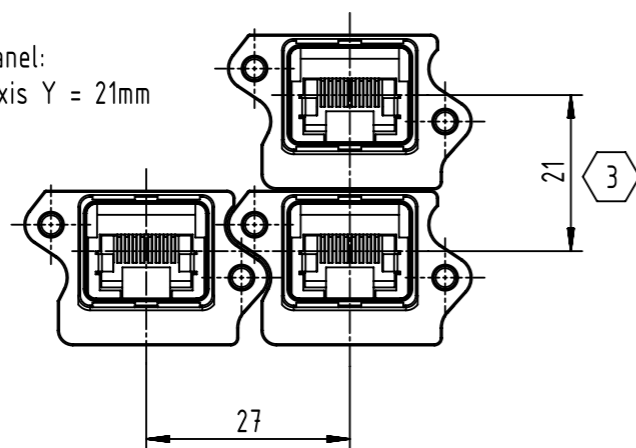


panel cutting



connector pitch on panel:
axis X = 27mm and axis Y = 21mm



further information see product data sheet

- 4 mating references A and B according to IEC 60603-7
- 3 connector pitch with coding clip 0945840002X Y = 23mm
- 2 HARTING RJ Industrial vertical RJ45 jack THT part no.: TB 09455511103 ; please order separately
- 1 2x M2.5; screws acc. to ISO 4762; please order separately; bolting torque 0.3Nm - 0.5Nm

	All Dimensions in mm Original Size DIN A3		Scale 2:1	Free size tol.		Ref.	
	All rights reserved Department EL PD		Created by STORCK	Inspected by ZWÄHR	Standardisation HOFFMANN	Date 2019-12-17	State Final Release
HARTING Electronics GmbH D-32339 Espelkamp		Title HARTING PushPull V4 Comp. Housing, RJ Vertical Jack				Doc-Key / ECM-Nr. 100672661/UGD/000/G 500000161747	
		Type TB	Number 09455450040		Rev. G	Page 1/1	